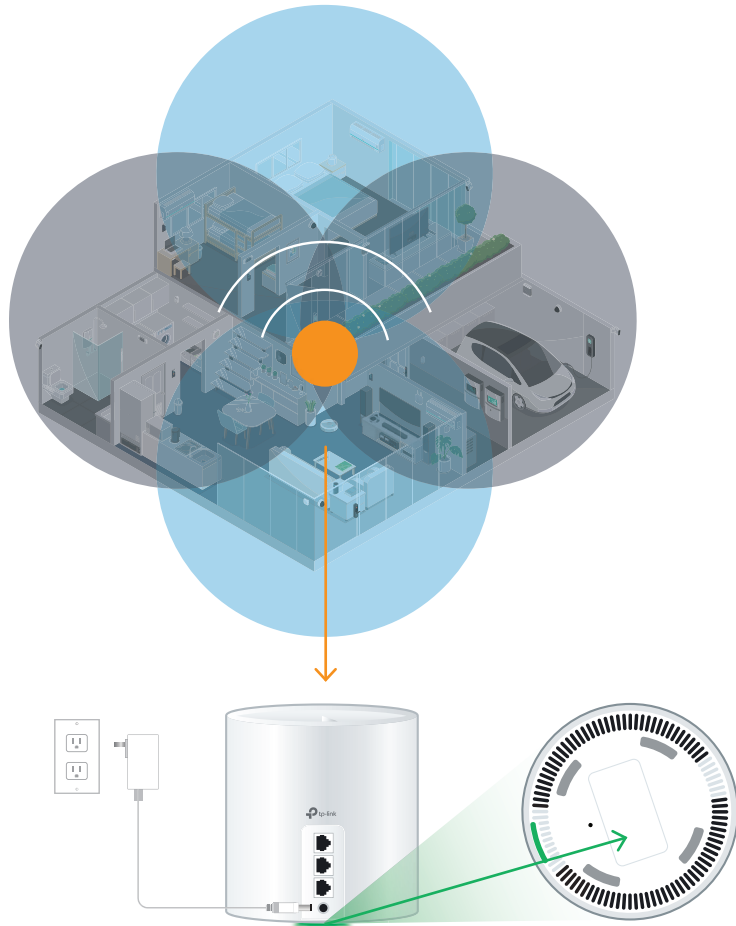


BOOST YOUR WI-FI SIGNAL AND COVERAGE WITH ADDITIONAL PODS

For best results we recommend a Wi-Fi pod on every floor; call us today to add additional pods.

Follow these easy steps to set up your additional Wi-Fi pod(s):

1. Place the additional Wi-Fi pod where you want it and plug it into a power outlet.
2. When the light on the bottom of the Wi-Fi pod is solid green, your additional pod is now connected to your Wi-Fi network. This can take up to 5 minutes.



CONNECTING WIRED DEVICES

Each Wi-Fi 6 pod is equipped with three ethernet ports.

Your modem will take one port on your main Wi-Fi pod. The additional ports or additional Wi-Fi pods can be used to connect a nearby device.

For example:

- Home Phone Analog Telephone Adapter (ATA)
- TV Set Top Box
- Gaming Console
- Computer



primus

TC4400 Modem and Deco Wi-Fi 6 Pod Set Up Guide



For general support for your Internet, or for additional self-help resources visit support.primus.ca or contact our Technical Support team at 1-800-370-0015.

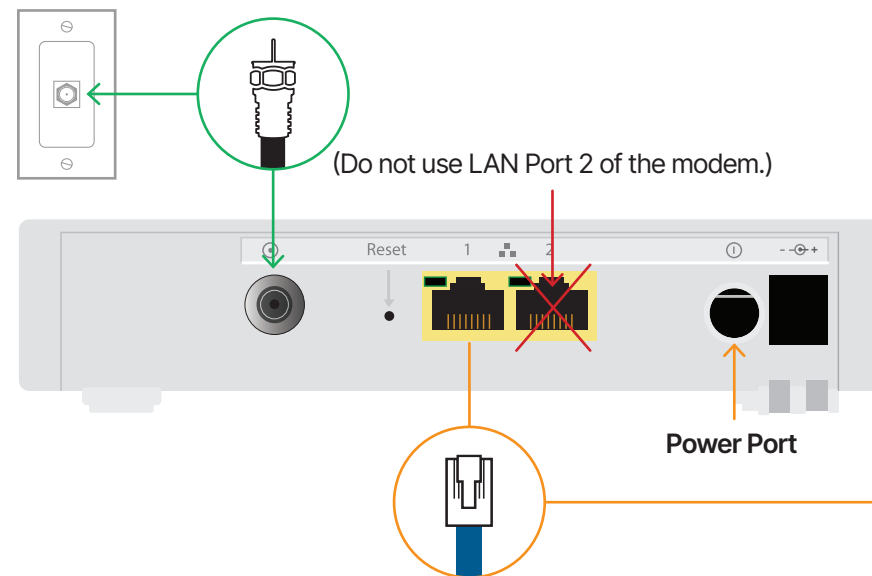
240412 Primus TC4400 Modem and Deco Wi-Fi 6 Pod Set Up Guide E

Setting Up Your High Speed Internet Service and Wi-Fi Network

Begin your Wi-Fi set up after your technician visit is complete or after your installation window has passed.

STEP 1 - CONNECT MODEM TO CABLE OUTLET

Connect one end of the **coaxial cable** to the **cable port** on your modem and other end to a nearby cable outlet.



STEP 2 - CONNECT AND POWER DEVICES

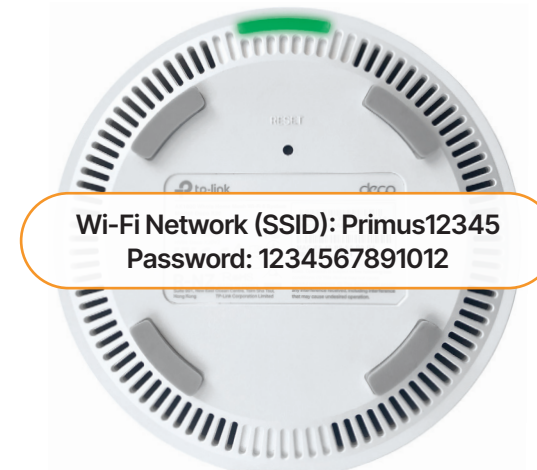
Connect one end of the **ethernet cable** to **LAN port 1** of your modem and the other end to any port on your Wi-Fi pod.

Plug the **power supply** for your modem and Wi-Fi pod into a power outlet.

The **light** on the bottom of the **Wi-Fi pod** should proceed from yellow to blue, then remain steady on **green**. This can take about 5 minutes.



Power Port



STEP 3 - CONNECT TO WI-FI

Go to Wi-Fi settings on a device you would like to connect, and search for available Wi-Fi networks.

Select the **Wi-Fi Network (SSID)** and enter the password that matches those found on the bottom of your Wi-Fi pod.

Download the TP-Link Deco app to manage your service



- Customize your Wi-Fi name and password
- Parental controls
- Create a separate network for guests



If the light is **red**, reboot the modem and Wi-Fi pod by unplugging the power adaptors. Wait 30 seconds, then plug back in the modem. Wait another 30 seconds, and plug in the Wi-Fi pod.

That's it, you should now be ready to enjoy your Primus Wi-Fi!