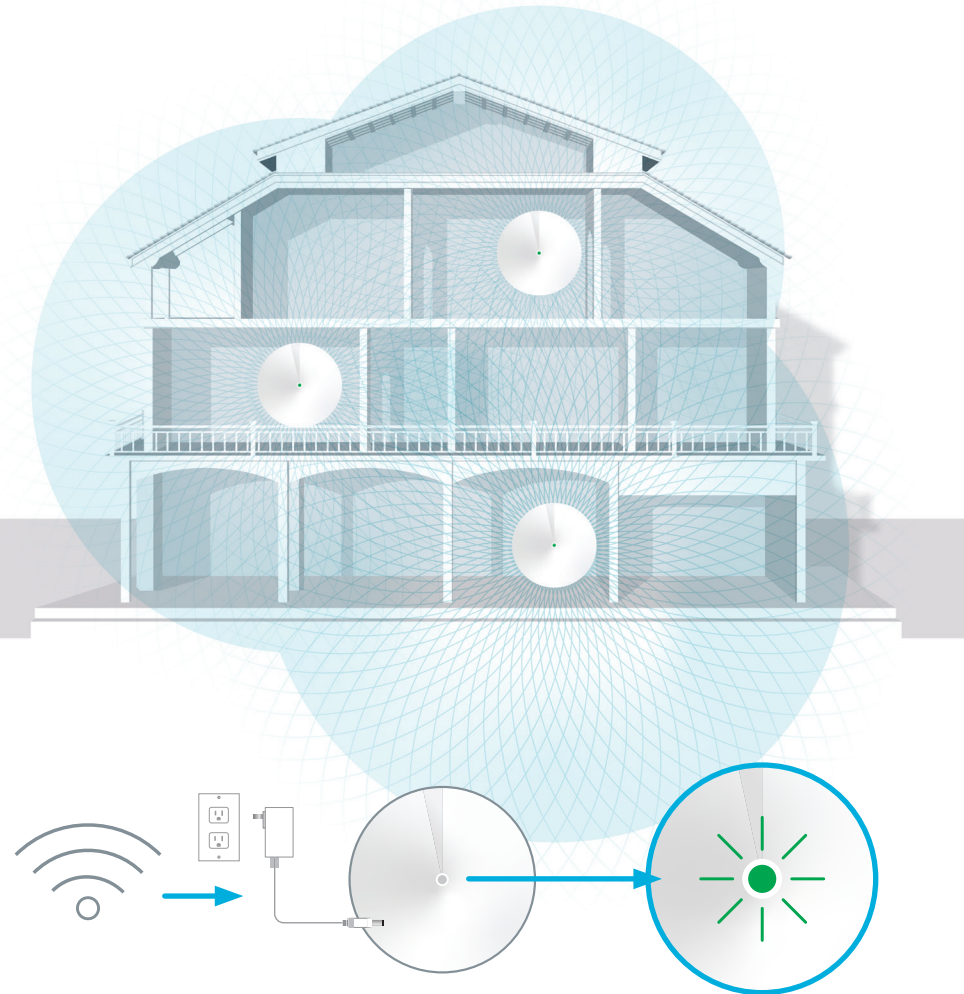


## Boost your Wi-Fi signal and coverage with additional pods

For best results we recommend a Wi-Fi pod on every floor; call us today to add additional pods.

### Follow these easy steps to set up your additional Wi-Fi pod(s):

1. Place the additional Wi-Fi pod where you want it and plug it into a power outlet.
2. When the light on the top of the Wi-Fi pod is solid green, your additional pod is now connected to your Wi-Fi network. This can take up to 5 minutes.



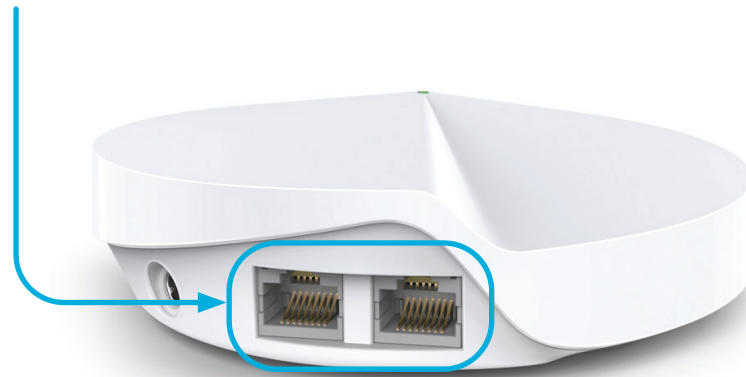
## Connecting Wired Devices

### Each Deco M5 Wi-Fi pod is equipped with two ethernet ports

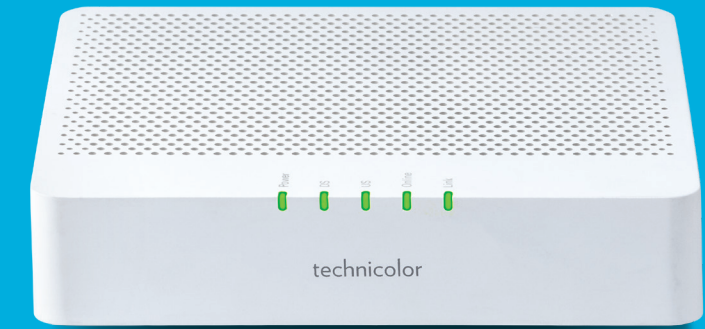
Your modem will take one port on your main Wi-Fi pod. The second port or additional pods can be used to connect a nearby device.

For example:

- Home Phone Analog Telephone Adapter (ATA)
- TV Set Top Box
- Gaming Console
- Computer



# TC4400 Modem and Deco M5 Wi-Fi Pod Set Up Guide



230808 Primus TC4400 Modem and Deco M5 Wi-Fi Pod Set Up Guide E

# primus

For general support for your Internet, or for additional self-help resources visit [support.primus.ca](https://support.primus.ca). or contact our Technical Support team at **1-800-370-0015**.

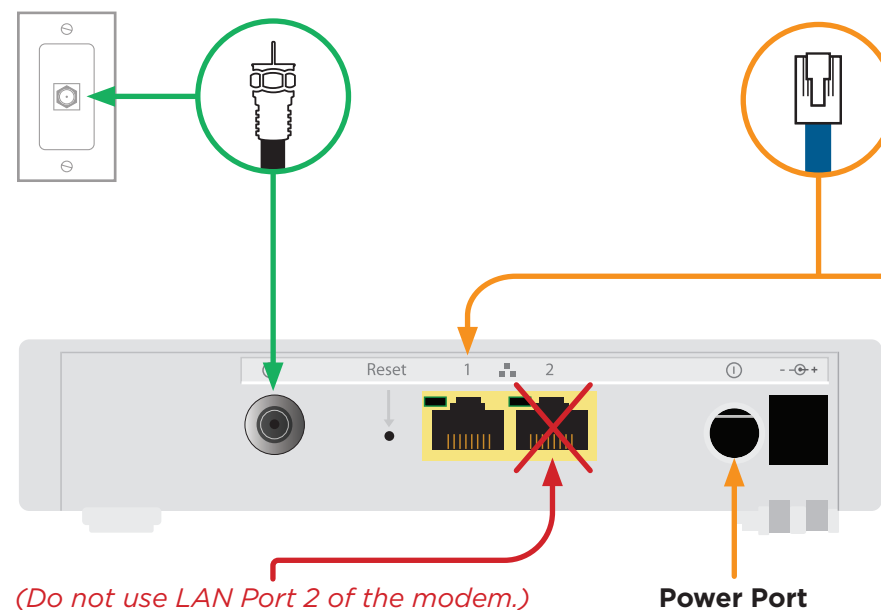
# primus

# Setting Up Your High Speed Internet Service and Wi-Fi Network

Begin your Wi-Fi set up after your technician visit is complete or after your installation window has passed.

## Step 1 - Connect modem to cable outlet

Connect one end of the **coaxial cable** to the **cable port** on your modem and other end to a nearby cable outlet.

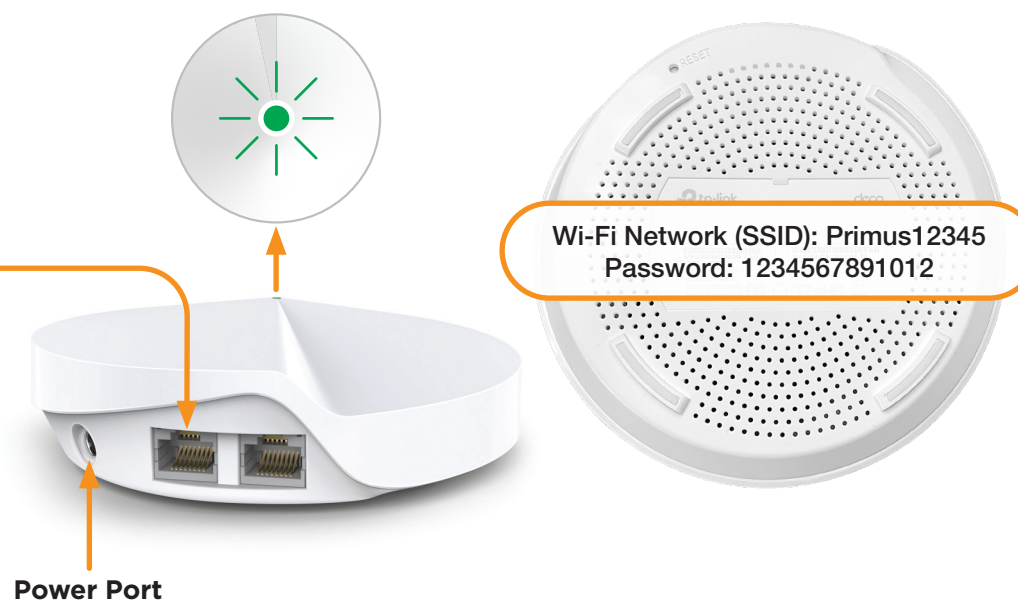


## Step 2 - Connect and power devices

Connect one end of the **ethernet cable** to **LAN port 1** of your modem and the other end to any port on your Wi-Fi pod.

Plug the **power supply** for your modem and Wi-Fi pod into a power outlet.

The **light** on the top of the **Wi-Fi pod** should proceed from yellow to blue, then remain steady on **green**. This can take about 5 minutes.

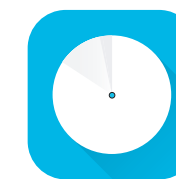


## Step 3 - Connect to Wi-Fi

Go to Wi-Fi settings on a device you would like to connect, and search for available Wi-Fi networks.

Select the **Wi-Fi Network (SSID)** and enter the password that matches those found on the bottom of your Wi-Fi pod.

### Customize Your Wi-Fi Name and Wi-Fi Password



Download the TP-Link Deco app from the Google Play or Apple App Store.

You will also find other features such as: parental controls, anti-virus and how to create a separate network for guests.

⚠ If the light is **red**, reboot the modem and Wi-Fi pod by unplugging the power adaptors.

Wait 30 seconds, then plug back in the modem. Wait another 30 seconds, and plug in the Wi-Fi pod.

**That's it, you should now be ready to enjoy your Primus Wi-Fi!**